

DURAFLEX

The Original Flexible Moulding from Resinart

The Professional's Choice Since 1968

DuraFlex® is the original economical alternative to curved wood applications where wood mouldings simply won't bend or conform to the design concept.

Available in oak, pine or smooth grain, DuraFlex is less expensive than traditional curved millwork. DuraFlex one-piece construction provides flexibility that always insures a proper fit. DuraFlex can be cut, shaped installed and stained or painted like traditional wood mouldings.

Using Resinart's Advanced Polymer Technology™, DuraFlex is consistently specified by architects and builders who demand the best.

CASING



WM 346-S
9/16 X 2-1/4



WM 356-S
11/16 X 2-1/4



WM 444-S
11/16 X 3-1/2

8' - \$48.48
10' - \$52.38 10' - \$72.94 10' - \$74.85
12' - \$62.86

MISCELLANEOUS



WM 291-S
3/4 X 1-15/16
12' - \$49.70



WM 126-O
1/2 X 3/4
Oak
12' - \$27.41



WM 126-S
1/2 X 3/4
Smooth
12' - \$27.41



WM 916-S
3/8 X 1-1/4
10' - \$27.41

BASE



WM 623-S
9/16 X 3-1/4



WM 852-S
9/16 X 3-1/4



WM 811-S
11/16 X 4-1/2



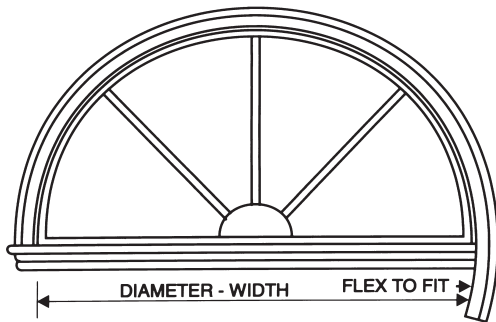
WM 618-S
9/16 X 5-1/4



1X6 P/G
Flat Stock

1X8 P/G
Flat Stock

8' - \$64.07 12' - \$88.43 10' - \$104.44 10' - \$134.89 1 x 6 x 12' \$213.76 1 x 8 x 12' \$281.00



PREFORMED DIAMETER MOULDING

Stainable Pine
(Flexible 6" Either Way)

DIAM	#346-P	#356-P
3'0"	\$36.54	\$39.29
4'0"	\$42.63	\$45.83
5'0"	\$64.52	\$58.92
6'0"	\$66.99	\$72.01

Denver Stocked Only

Special Order from over 18,000 available profiles. Call or fax any pattern. We may already have the moulding pattern you need!

