

You can use Trex RainEscape Deck Drainage System to create your outdoor living room.

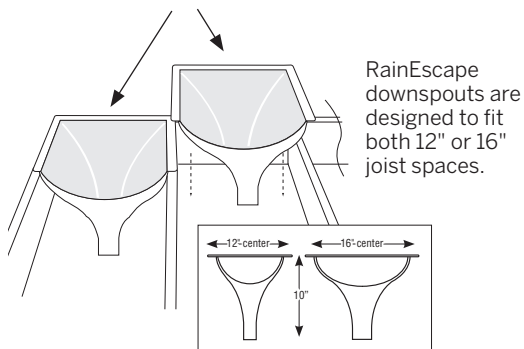
Trex RainEscape is a unique product that enables you to create an indoor-style living space outdoors, on the patio beneath your deck.

With Trex RainEscape, you can conceal those unsightly deck joists with a soffit of your choice: add lighting fixtures, ceiling fans, entertainment systems and more.

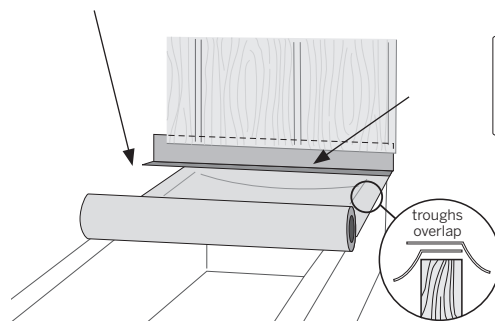


### CREATE YOUR OUTDOOR LIVING AREA IS AN EASY TWO STEP PROCESS:

**1** A RainEscape downspout is placed at the end of each deck bay.



**2** For proper drainage, RainEscape troughs have score marks that line up with the inside of the floor joists



To complete the RainEscape system, place a downspout every 12' to 14'. (gutter not included)

## Trex® RainEscape®

DECK DRAINAGE SYSTEM

ITEM#	DESCRIPTION	PRICE
RE12054	12' Trough (16=Box)	\$32.20
RE12078	16' Trough (16=Box)	\$41.77
RE12023	Down Spout (16=Box)	\$41.77
RE120003	Butyl Caulk (12=Box)	\$11.95
RE0067	4 x 4 Post Flash (12 = Box)	\$11.92

ITEM#	DESCRIPTION	PRICE
RE0033	<b>Trex Protect</b> JOISTS BEAM TAPE 1-5/8" x 50' Joist Cap Tape (20 = Box)	\$22.86
RE0035	<b>Trex Protect</b> JOISTS BEAM TAPE 3-1/8" x 50' Beam Cap Tape (12 = Box)	\$41.43
REELEVAT	2' x 50' Elevations Tape (8 = Box) <i>For Use with Trex Elevations</i>	\$48.40
RE TAPE	4" x 50' Seam Tape <i>Can be used in conjunction with Trex Rain Escape System</i>	\$58.38